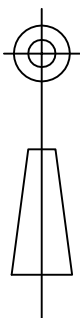
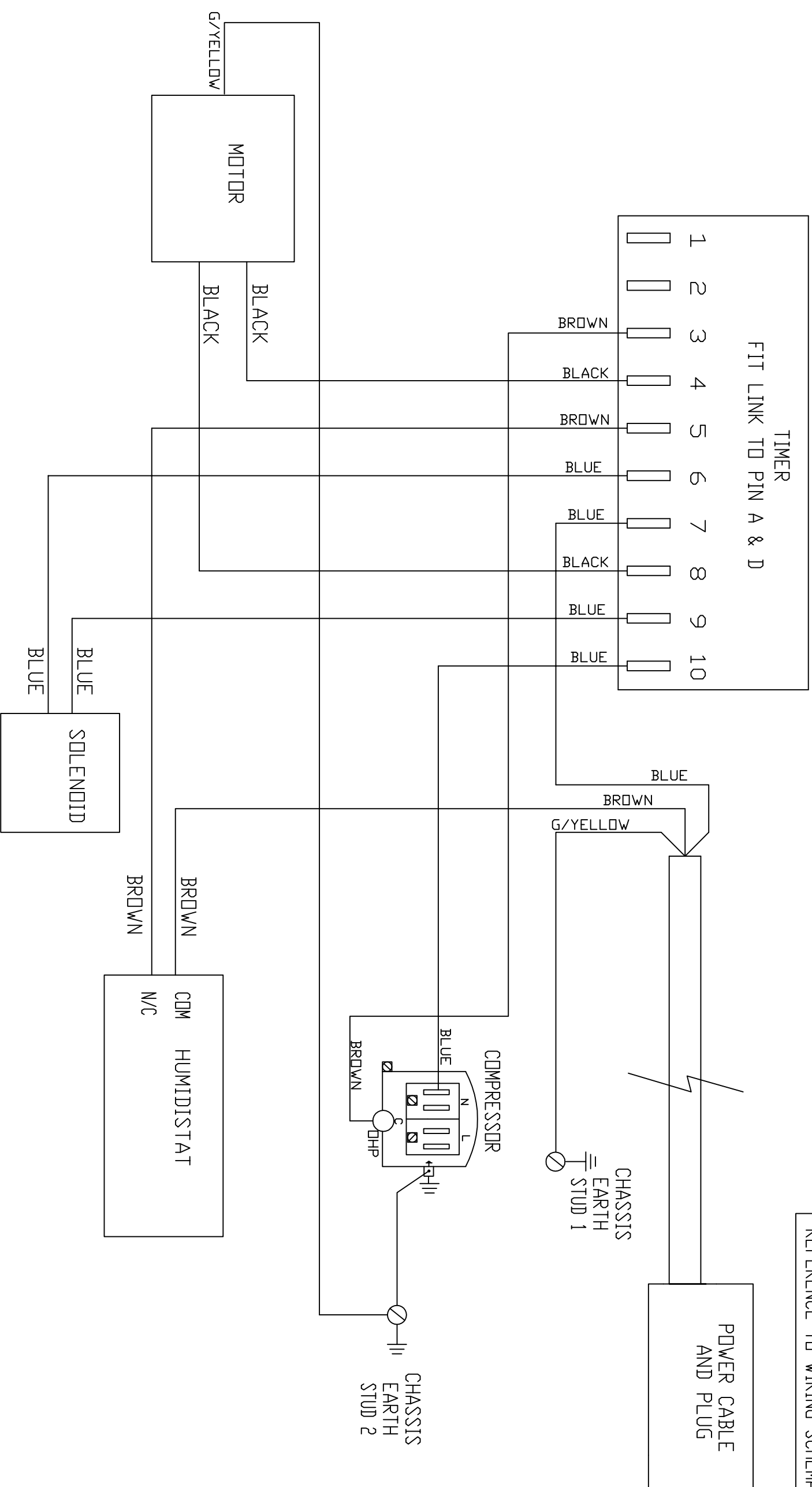


3RD ANGLE PROJECTION



DESCRIPTION	PART No.
REFERENCE TO GENERAL ASSEMBLY	1013700
REFERENCE TO GENERAL ASSEMBLY	1138100
REFERENCE TO GENERAL ASSEMBLY	1138600
REFERENCE TO WIRING SCHEMATIC	5020153



DRAWN: MASON	ISS. 8	9	10	11	12	13	14	15	16	<p><b>Ekac Limited</b></p>	SECURITY CLASSIFICATION
CHECKED	DATE 18.9.89	21.9.89	24.08.93	18.10.93	07/04/05	20/01/12	15/01/18	23/04/18	29/10/18		DRG. NO.
APPROVED										<p>5010116</p>	
SCALE	C/N	GE	6223	6514	DD	JGL	WDA	WDA	WDA		
INSPECTION PROCEDURE	MATERIAL	FINISH			TOLERANCE UNLESS STATED			DIMENSIONS IN m.m.			TITLE
											WIRING DIAGRAM FOR CD30