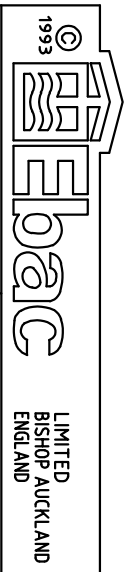


ISSUE	DATE	AMENDMENTS
8	10/11/14	NEUTRALS RE-ARRANGED TO HELP PRODUCTION - WDA
9	16/02/15	TEMP. CONT. / DRIVE MOTOR UPDATED - WDA
10	01/05/15	CONTROL BOX VIEW CHANGED - WDA
11	12/05/15	CONTROL BOX VIEW CHANGED - WDA
12	06/11/15	REGEN FAN T/B VIEW UPDATED - WDA
13	13/07/20	WIRE COLOUR / SIZE UPDATE - WDA

SEE SHEET 2 OF 2 FOR BETTER VIEW OF HEATER BOX



LIMITED BISHOP AUCKLAND ENGLAND

TITLE DD900 - WIRING DIAGRAM

3RD ANGLE PROJECTION
 DO NOT SCALE
 IF IN DOUBT ASK

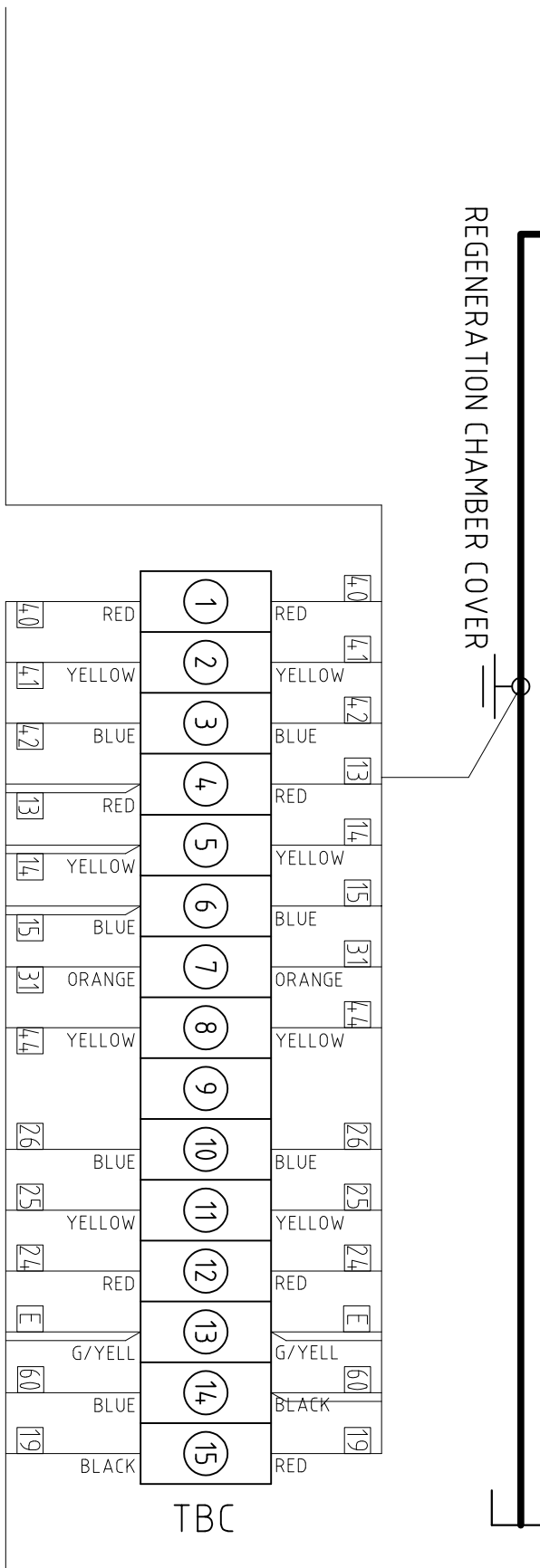
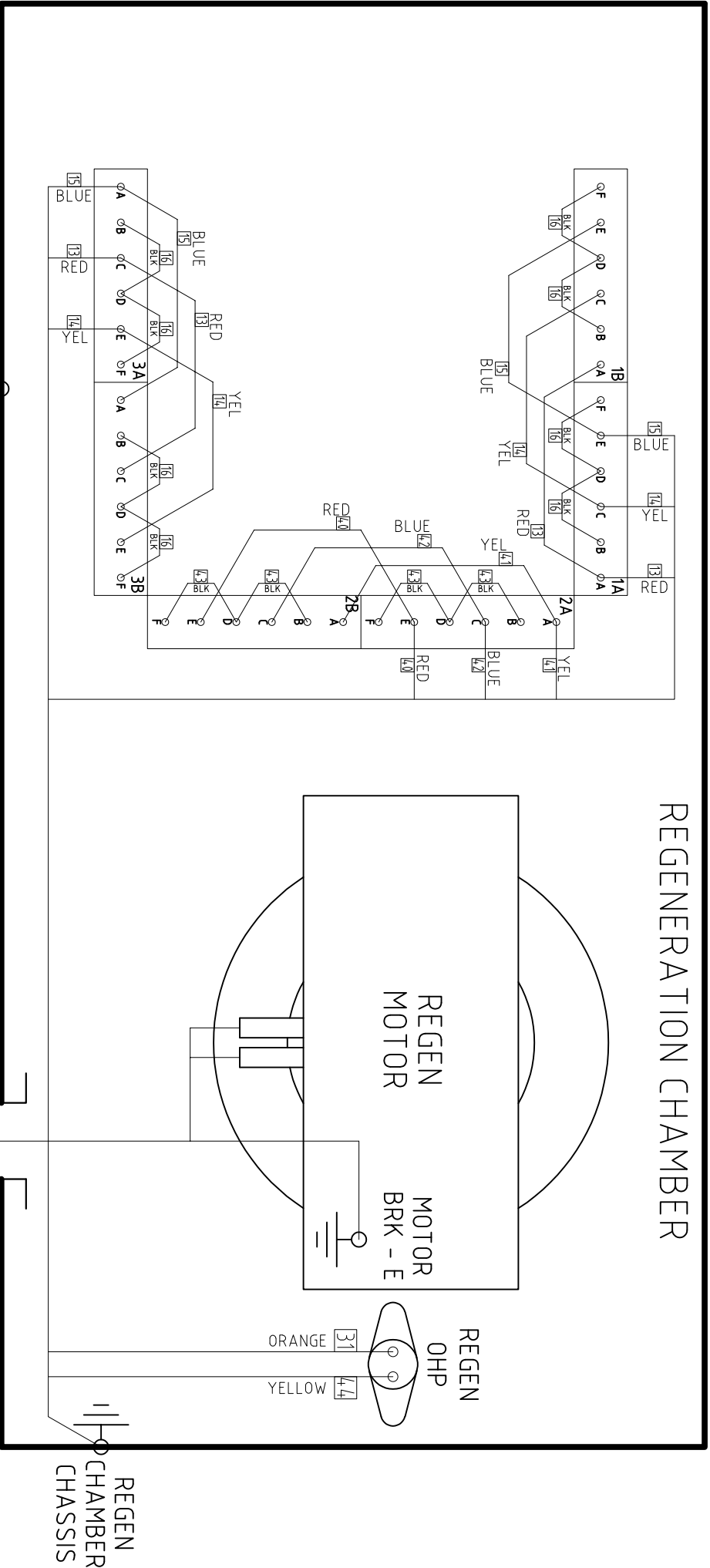
DIMENSIONS IN m.m.
 TOLERANCES UNLESS OTHERWISE STATED
 0.0 ± 0.25
 0.00 ± 0.05
 ANGULAR ± 0.5 DEGREE

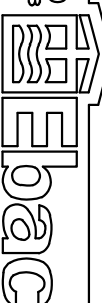
MATERIAL N/A
 FINISH N/A

DRAWN: W DAGLISH
 CAD SCALE: N/A

DRG.NO. 5010321
 SHEET 1 OF 2

ISSUE	DATE	AMENDMENTS
8	10/11/14	NEUTRALS RE-ARRANGED TO HELP PRODUCTION - WDA
9	16/02/15	TEMP. CONT. / DRIVE MOTOR UPDATED - WDA
10	01/05/15	CONTROL BOX VIEW CHANGED - WDA
11	12/05/15	CONTROL BOX VIEW CHANGED - WDA
12	06/11/15	REGEN FAN T/B VIEW UPDATED - WDA
13	13/07/20	WIRE COLOUR / SIZE UPDATE - WDA





1993
LIMITED
BISHOP AUCKLAND
ENGLAND

TITLE
DD900 - WIRING DIAGRAM

MATERIAL
N/A

FINISH
N/A

DRAWN : W DAGLISH

CAD SCALE : N/A

DRG.NO. 5010321

SHEET 2 OF 2

3RD ANGLE PROJECTION

DO NOT SCALE
IF IN DOUBT ASK

DIMENSIONS IN m.m.
TOLERANCES UNLESS OTHERWISE STATED

0.0
0.00 ± 0.05
ANGULAR ± 0.5 DEGREE