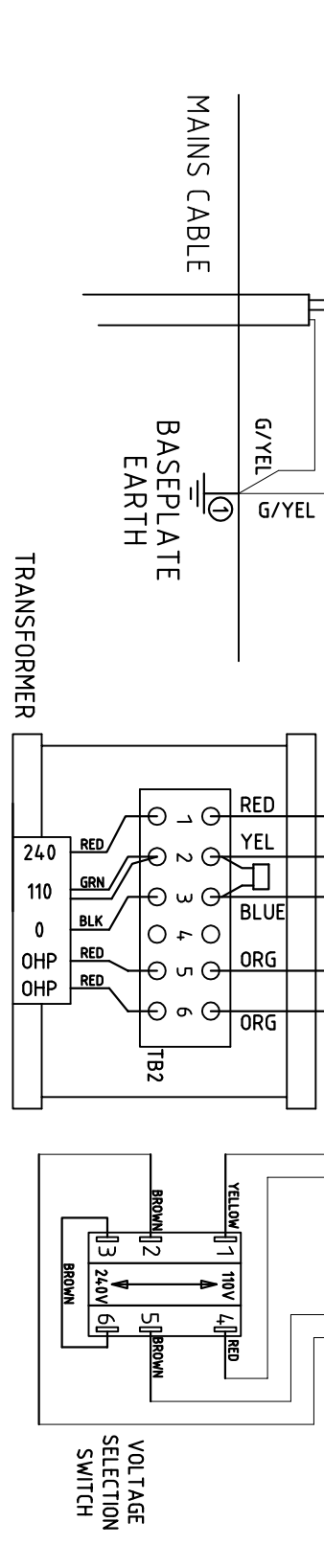
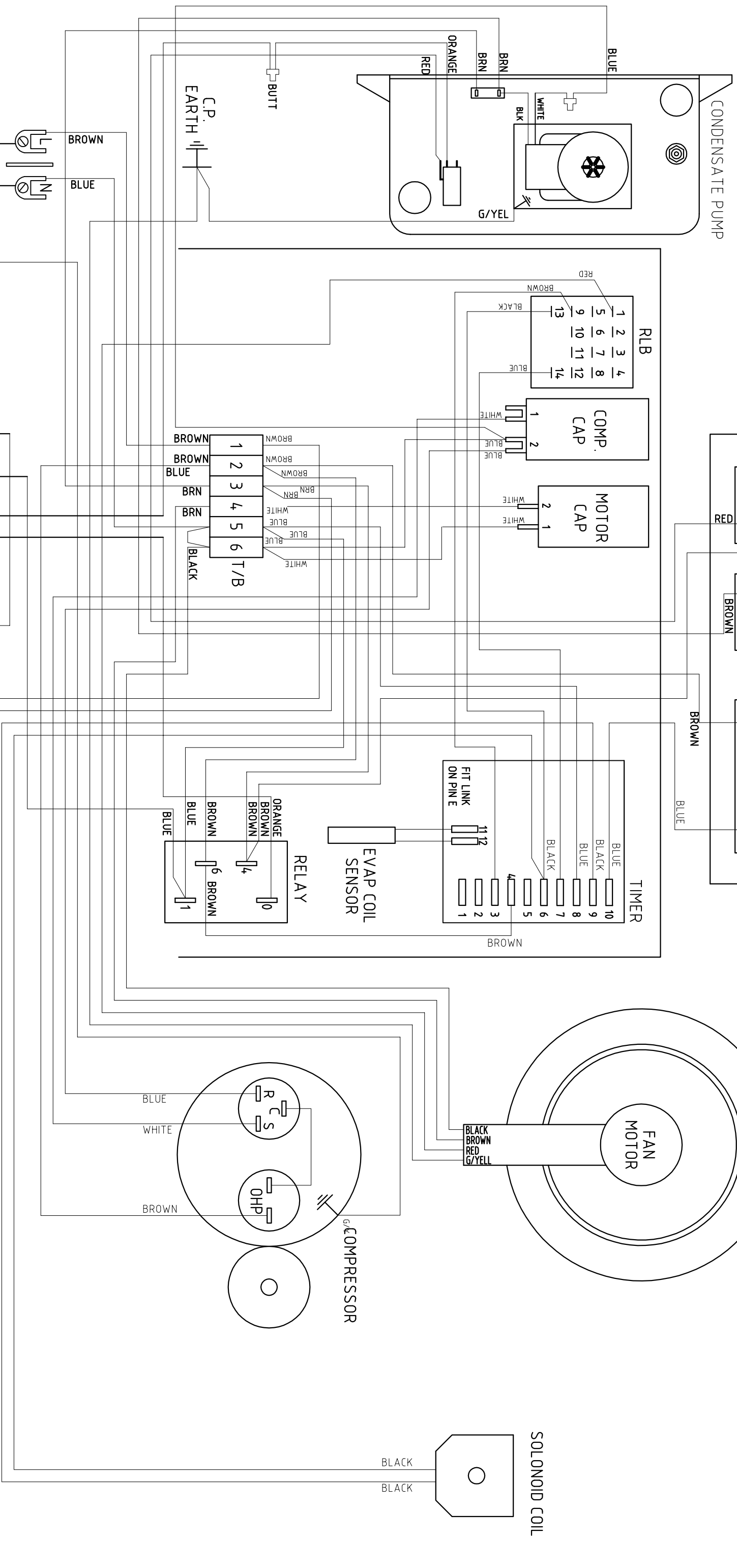


ISSUE	DATE	AMENDMENTS
4	20/12/13	COLOURS UPDATED - WDA
5	22/08/14	PUMP UPDATED - WDA
6	16/09/14	PUMP UPDATED - WDA
7	30/08/19	COMPRESSOR CAP. WIRES SWITCHED - WDA
8	23/10/19	TRANSFORMER OHP ADDED - WDA
9	01/11/19	PUMP WIRING BUTT ADDED - WDA



1993
Ebac
LIMITED
BISHOP AUCKLAND
ENGLAND

TITLE
EC085 - WIRING DIAGRAM - DUAL VOLTAGE

MATERIAL

FINISH

3RD ANGLE PROJECTION
DO NOT SCALE
IF IN DOUBT ASK

DIMENSIONS IN M.M.
TOLERANCES UNLESS OTHERWISE STATED

0.0	± 1
0.00	± 0.25
0.00	± 0.05
ANGULAR ±	0.5 DEGREE

CAD SCALE: N/A

DRG. NO.: 5010327

DRAWN: W DAGLISH

SHEET: 1 OF 1