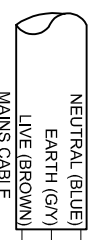
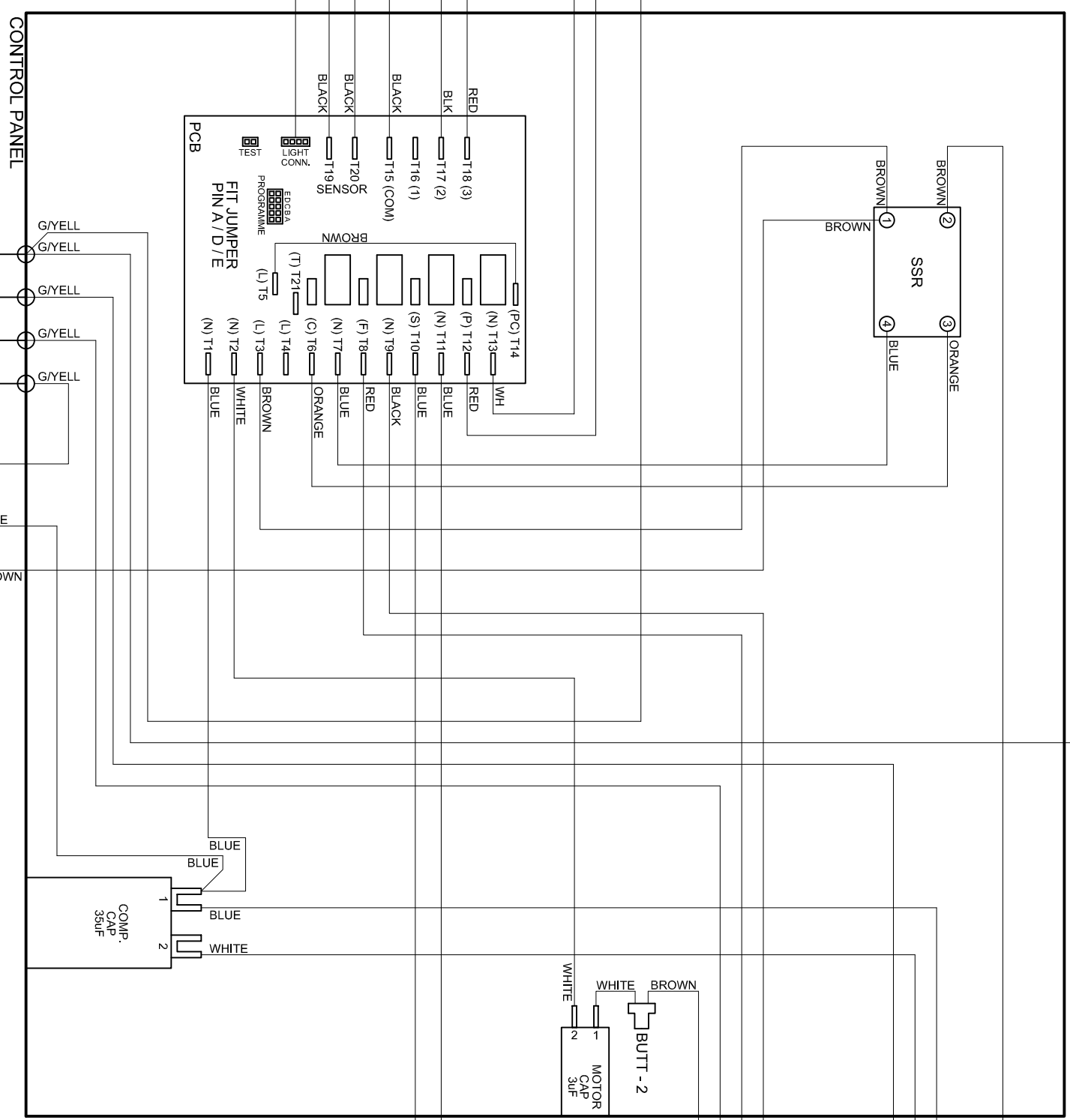
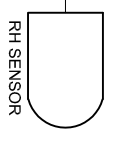
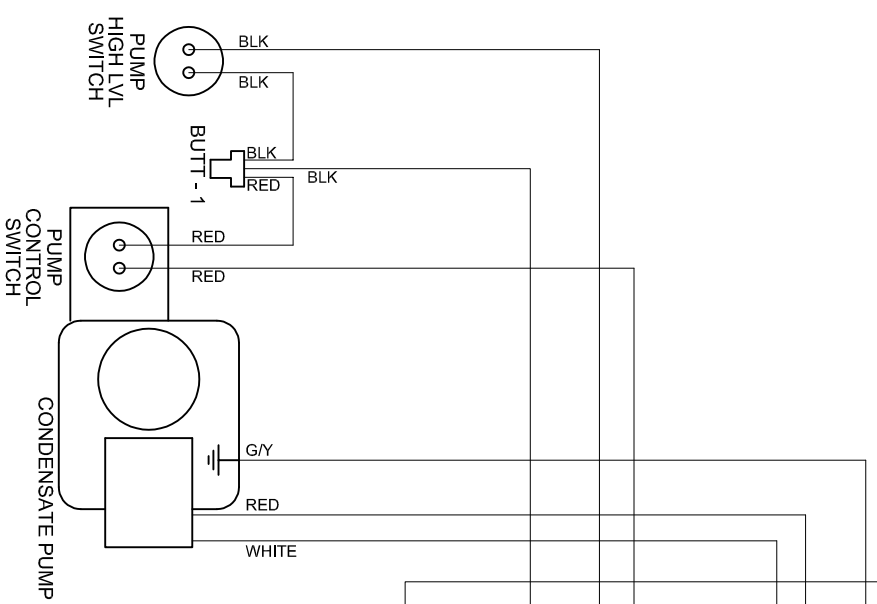
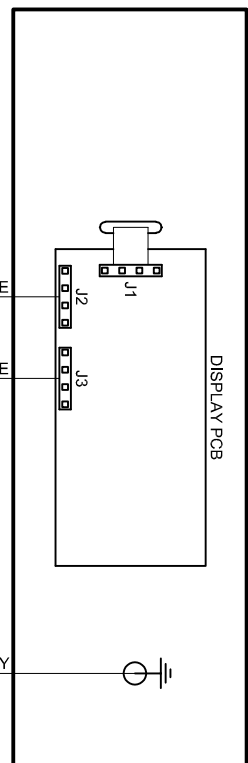


CONTROL PLATE



ISSUE	DATE	AMENDMENTS
1	07/08/23	ORIGINAL

1997 BISHOP AUCKLAND  
Co. DURHAM  
ENGLAND

**HM150-H (UK - 230V) - WIRING DIAGRAM**

TITLE

MATERIAL N/A

FINISH N/A

3RD ANGLE PROJECTION

DO NOT SCALE  
IF IN DOUBT ASK

DIMENSIONS IN m.m.  
TOLERANCES UNLESS  
OTHERWISE STATED

0.1 ± 0.25  
0.00 ± 0.05  
ANGULAR ± 0.5 DEGREE

DRAWN: W DAGLISH  
CAD SCALE: 1/1

DRG NO. 5010558

SHEET 1 OF 1