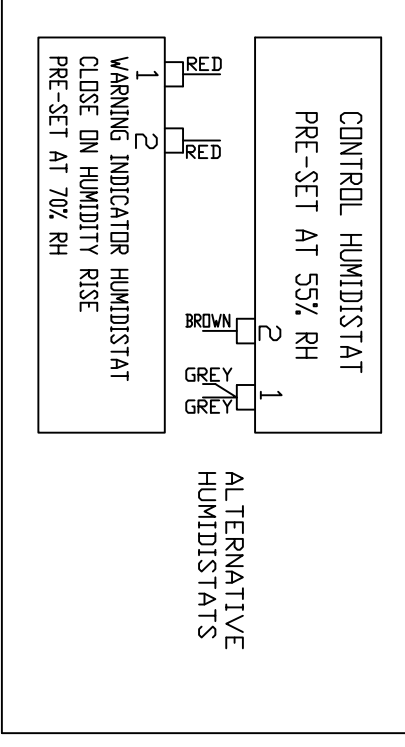
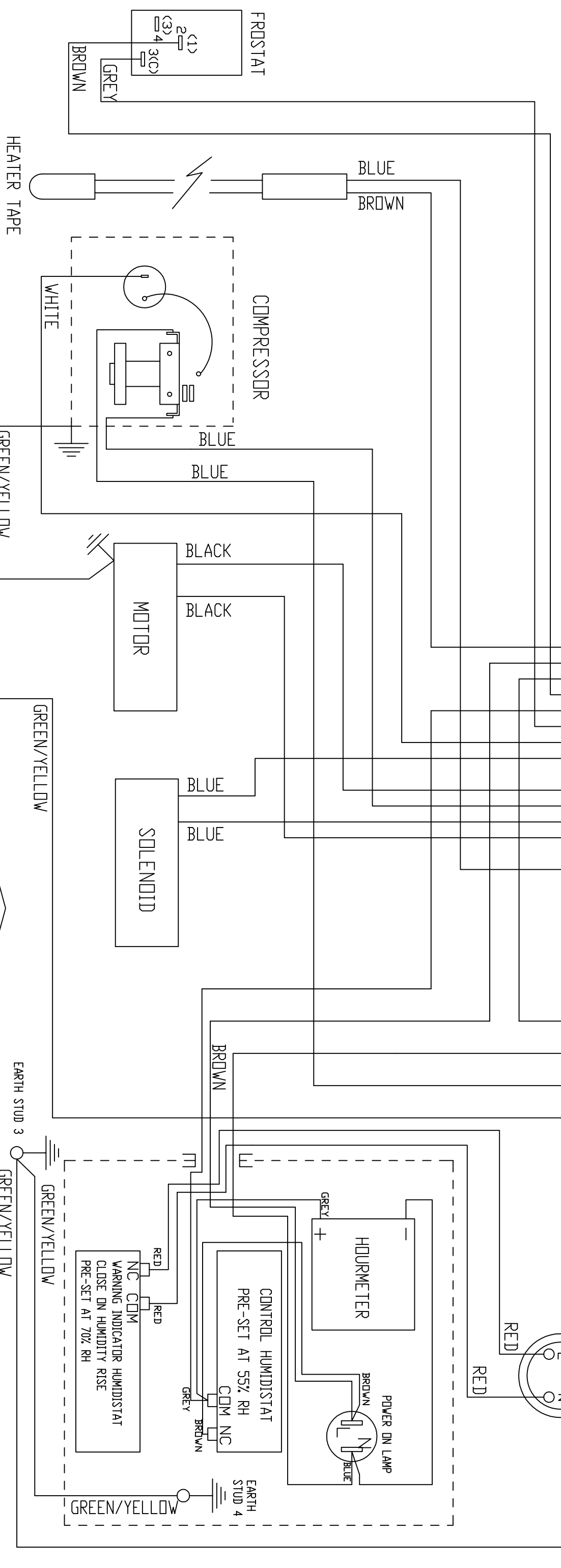


1	DESCRIPTION	2	PART No.
	REFERENCE TO GENERAL ASSEMBLY		1139500
	REFERENCE TO WIRING SCHEMATIC		5020152



NOTE:  
FIT NEUTRAL LABEL TO BOOT  
OF MAINS CABLE NEUTRAL WIRE (BLUE)



ISSUE	DATE	AMENDMENTS
2	12.02.96	CHANGED TIMER, ADD PLUG AND POWER LAMP - JGL
3	23.02.96	CHANGED TIMER, ADD FROSTAT - JGL
4	17/09/96	HOUR METER ADDED - MTJ
5	20/09/01	BLUE DHP WIRES REPOSITIONED/COLOURS ADDED - VDA
6	25/02/04	EARTH STUD 2 ADDED AND EARTH WIRING UPDATED - VDA
7	20/04/04	CHANGED EARTH STUD FROM 2 TO 4 - CJL
8	07/08/06	STAT BOX LAYOUT CORRECTED - VDA
9	18/10/07	NEUTRAL LABEL NOTE ADDED - VDA
10	26/11/10	COMP RELAY WIRE MOVED - VDA
11	02/12/11	COMP RELAY WIRE MOVED - VDA
12	12/12/11	HUMIDISTAT WIRING UPDATED - VDA

1993 **Ebac** LIMITED BISHOP AUCKLAND ENGLAND

3RD ANGLE PROJECTION  
DD NOT SCALE  
IF IN DOUBT ASK

DIMENSIONS IN mm.  
TOLERANCES UNLESS OTHERWISE STATED

0	+ 1
0.0	± 0.25
0.00	± 0.05
ANGULAR	± 0.5 DEGREE

TITLE: WIRING DIAGRAM  
MATERIAL: CD30E  
FINISH: DRAWN: JG LAVERICK  
CAD SCALE: 1/1  
DRG.ND: 5012130  
SHEET: 1 OF 1