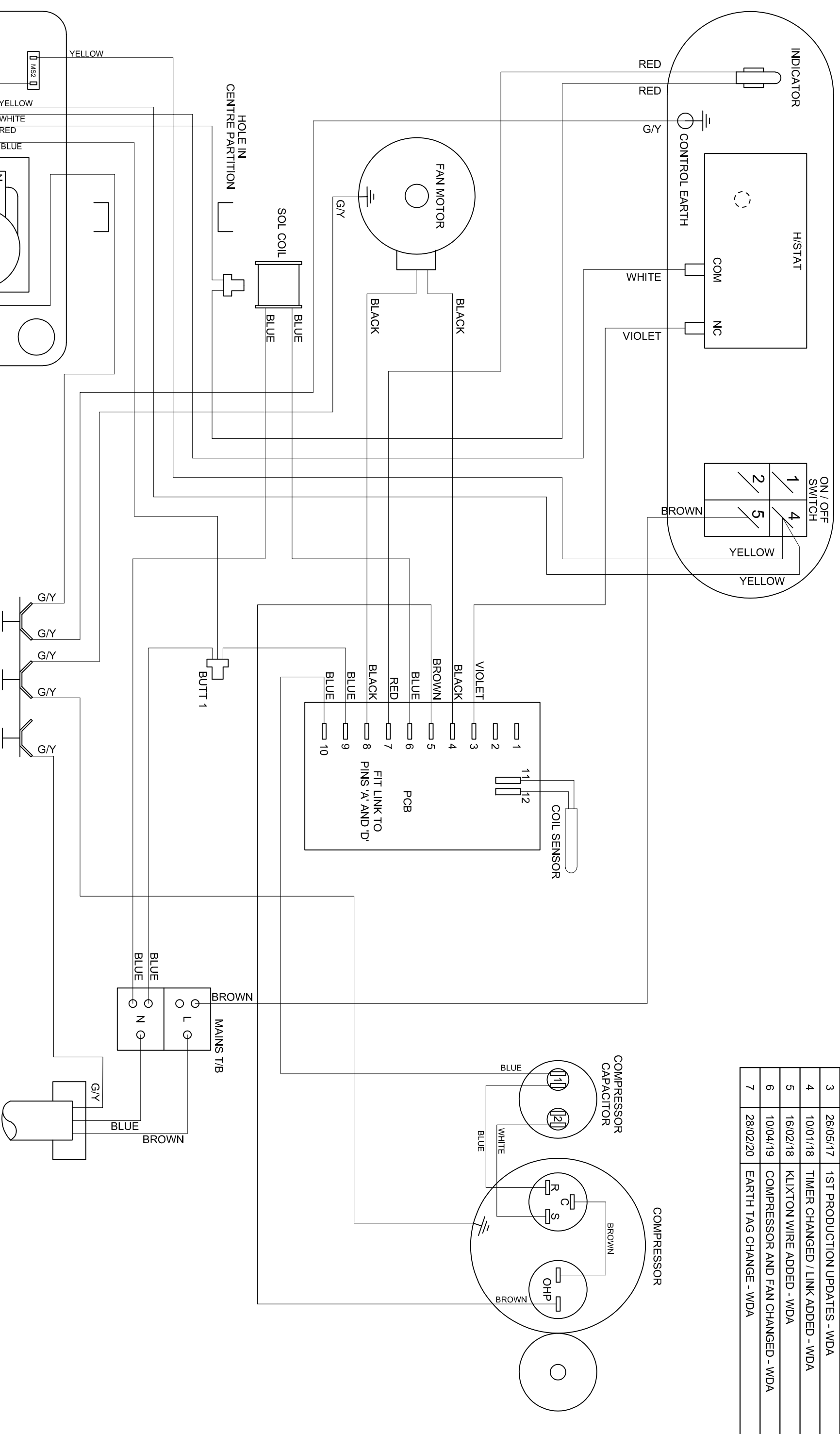


ISSUE	DATE	AMENDMENTS
1	31/01/17	ORIGINAL
2	28/03/17	PILOT BUILD UPDATES - WDA
3	26/05/17	1ST PRODUCTION UPDATES - WDA
4	10/01/18	TIMER CHANGED / LINK ADDED - WDA
5	16/02/18	KLIXTON WIRE ADDED - WDA
6	10/04/19	COMPRESSOR AND FAN CHANGED - WDA
7	28/02/20	EARTH TAG CHANGE - WDA



CONDENSATE PUMP

<p>3RD ANGLE PROJECTION DO NOT SCALE IF IN DOUBT ASK</p>		<p>1997 LTD BISHOP AUCKLAND Co. DURHAM ENGLAND</p>		<p>TITLE RM40P - UK/EU 230V - DIAGRAM</p>	
<p>DIMENSIONS IN m.m. TOLERANCES UNLESS OTHERWISE STATED</p> <p>0.0 ± 1 0.00 ± 0.25 ANGULAR ± 0.5 DEGREE</p>		<p>MATERIAL SEE DRW</p>		<p>FINISH SEE DRW</p>	
<p>CAD SCALE : 1/1</p>		<p>DRAWN : W DAGLISH</p>		<p>DRG. NO. 5010419</p>	
<p>SHEET 1 OF 1</p>		<p>SHEET 1 OF 1</p>		<p>SHEET 1 OF 1</p>	