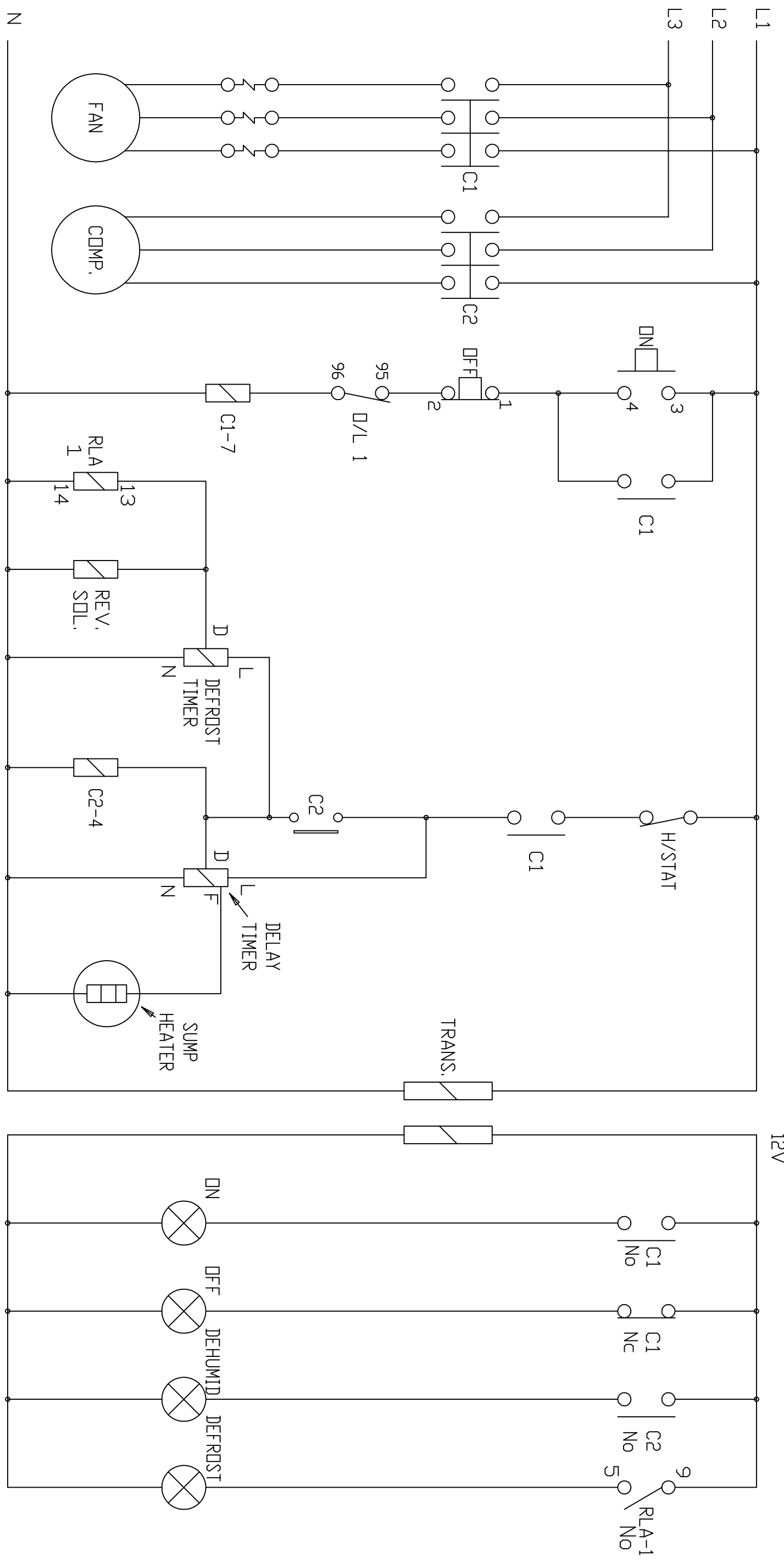
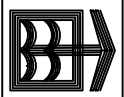


DRG NO. 5020103



DRAWN P.J.THOMPSON		ISS. 1 2		MATERIAL		FINISH		TOLERANCE UNLESS STATED -----		DIMENSIONS IN m.m.	
CHECKED	DATE 23/08/12	23/08/12	02/02/18	C/N	WDA	WDA					
APPROVED											
SCALE N.T.S.											
INSPECTION PROCEDURE											
 Ekac Limited				TITLE SCHEMATIC WIRING DIAGRAM FOR CD425 WITH INTERNAL CONTROLS				SECURITY CLASSIFICATION DRG.NO. 5020101			