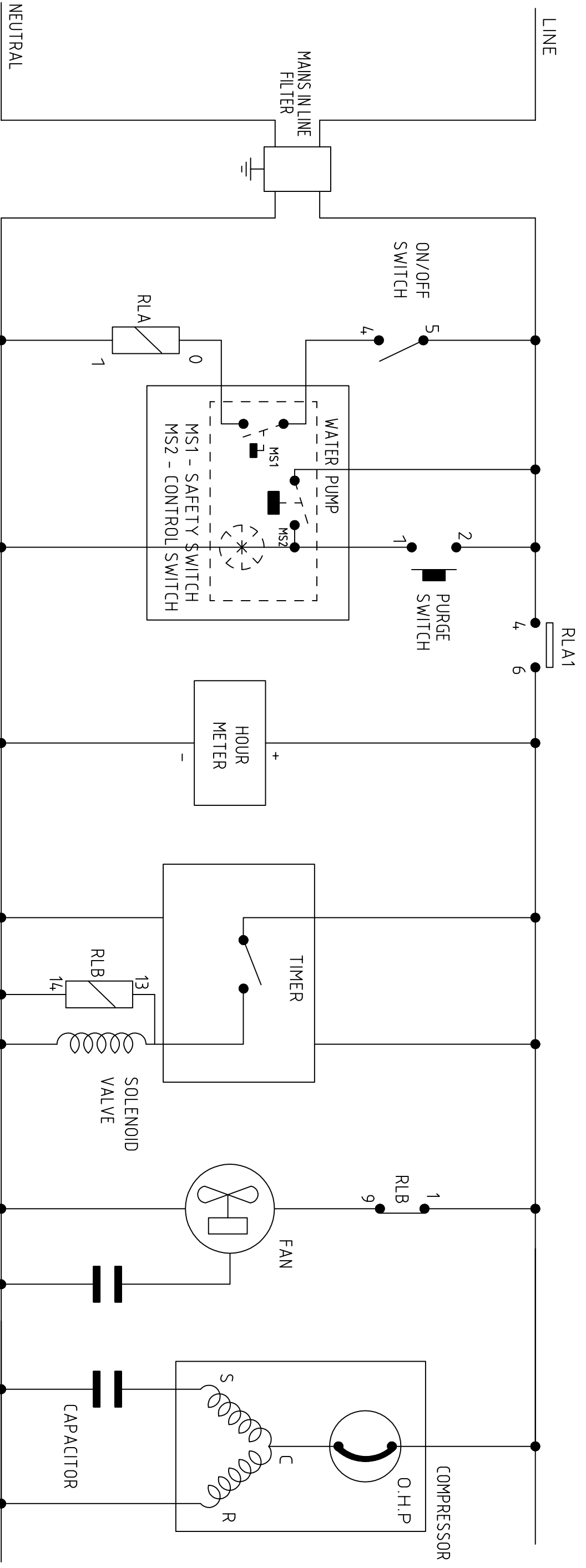
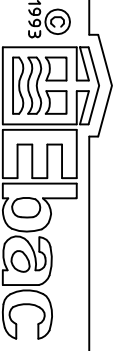


ISSUE	DATE	AMENDMENTS
1	12/07/11	ORIGINAL
2	28/03/13	DEFROST FAN RELAY ADDED - WDA
3	13/12/13	MAINS FILTER ADDED - WDA





1993
LIMITED
BISHOP AUCKLAND
ENGLAND

TITLE
EC085 - WIRING SCHEMATIC - UK/EU

3RD ANGLE PROJECTION
DO NOT SCALE
IF IN DOUBT ASK

DIMENSIONS IN m.m.
TOLERANCES UNLESS
OTHERWISE STATED

0.0 ± 1
0.00 ± 0.25
ANGULAR ± 0.5 DEGREE

MATERIAL
FINISH

DRAWN : W DAGLISH
CAD SCALE : N/A

DRG.NO. 5020312

SHEET 1 OF 1