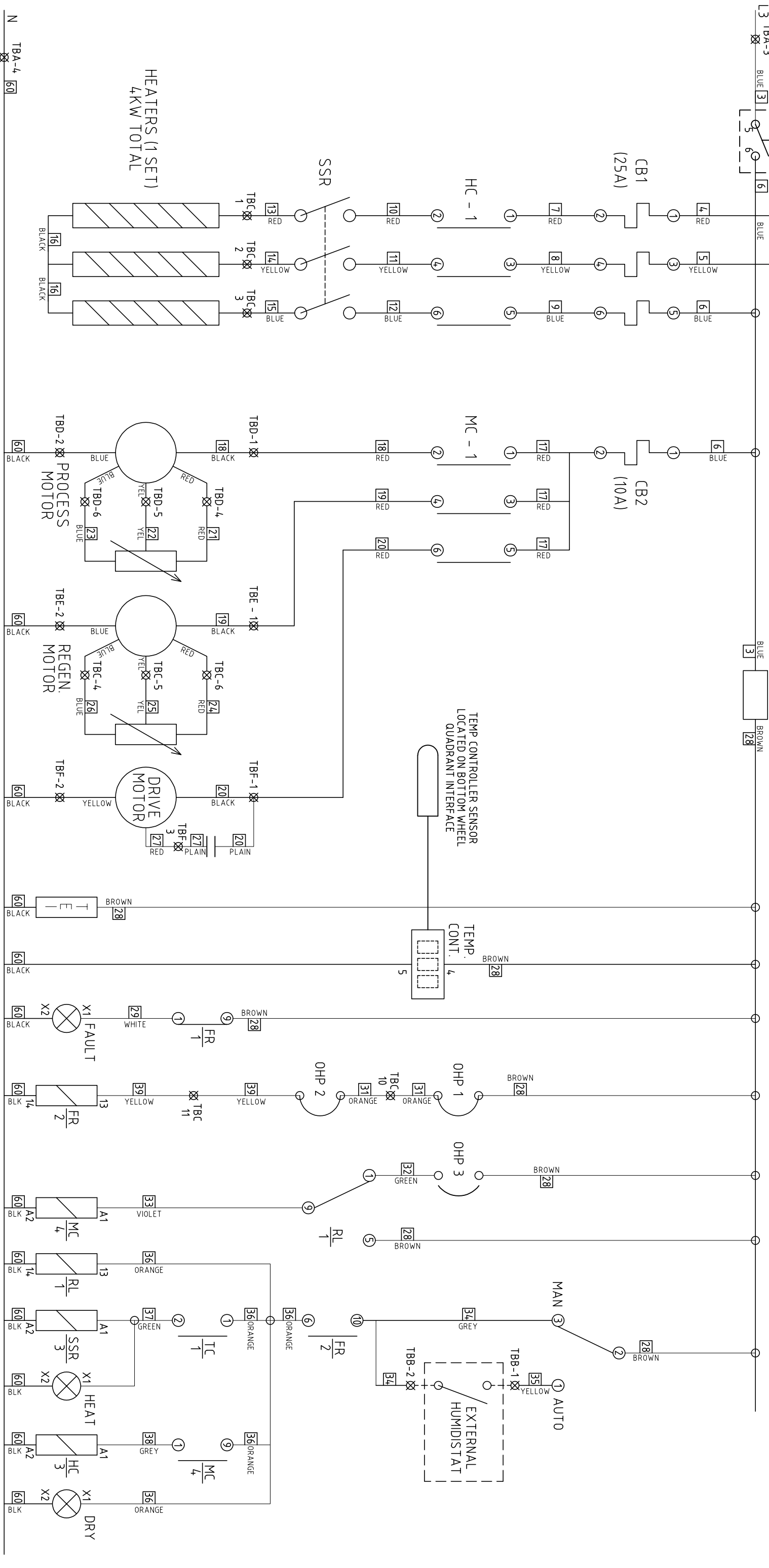
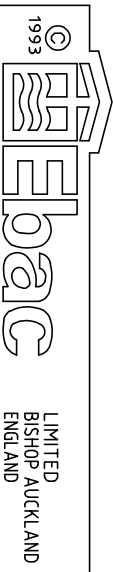


ISSUE	DATE	AMENDMENTS
3	13/03/13	PILOT BUILD ISSUES INCORPORATED - WDA
4	13/02/14	REGEN OHP ADDED - WDA
5	28/04/14	OHP'S CORRECTED - WDA
6	09/07/20	WIRE COLOUR / SIZE UPDATE - WDA
7	24/08/20	OHP ID TABLE ADDED - WDA



OHP IDENTIFICATION TABLE

COMPONENT	IDENTIFICATION	LOCATION	SWITCH STATUS	SWITCH POINT
OHP 1	REGENERATION AIR ON	BOTTOM WHEEL QUADRANT INTERFACE	N/C	OPEN @ 130°C
OHP 2	REGENERATION MOTOR PROTECTION	HEATER CHAMBER MOTOR HEAT SHIELD	N/C	OPEN @ 70°C
OHP 3	FAN RUN ON	BOTTOM WHEEL QUADRANT INTERFACE	N/O	CLOSES @ 70°C



1993
 3RD ANGLE PROJECTION
 DO NOT SCALE
 IF IN DOUBT ASK
 DIMENSIONS IN m.m.
 TOLERANCES UNLESS OTHERWISE STATED
 0.0
 ± 0.25
 0.00
 ± 0.05
 ANGULAR ± 0.5 DEGREE

TITLE
 DD700 - 415V 50HZ 3 PH - WIRING SCHEMATIC

MATERIAL
 N/A
 FINISH
 N/A
 DRAWN: W DAGLISH
 CAD SCALE: N/A
 DRG.NO. 5020355
 SHEET 1 OF 1